

QUIET RUNNING SWIMMING POOL PUMPS

Applications:
Recycling and filtering water for medium and commercial swimming pools.



CFRP

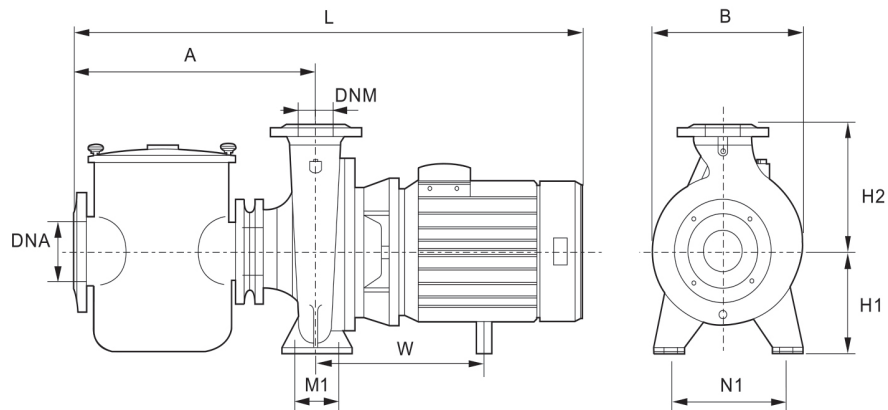
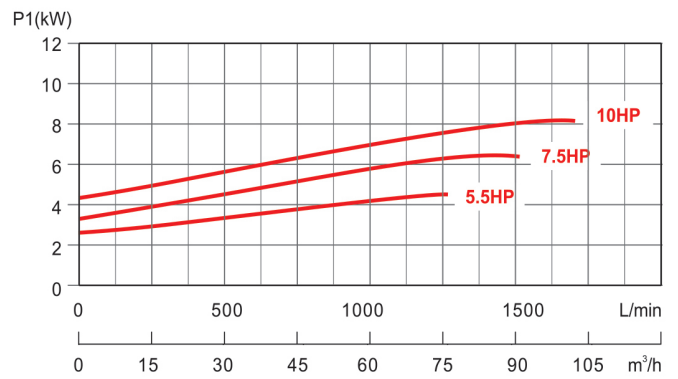
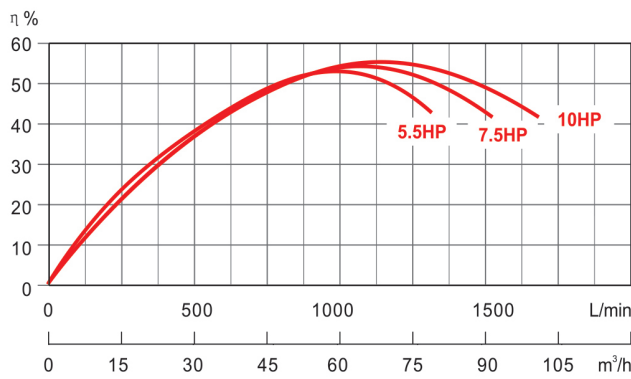
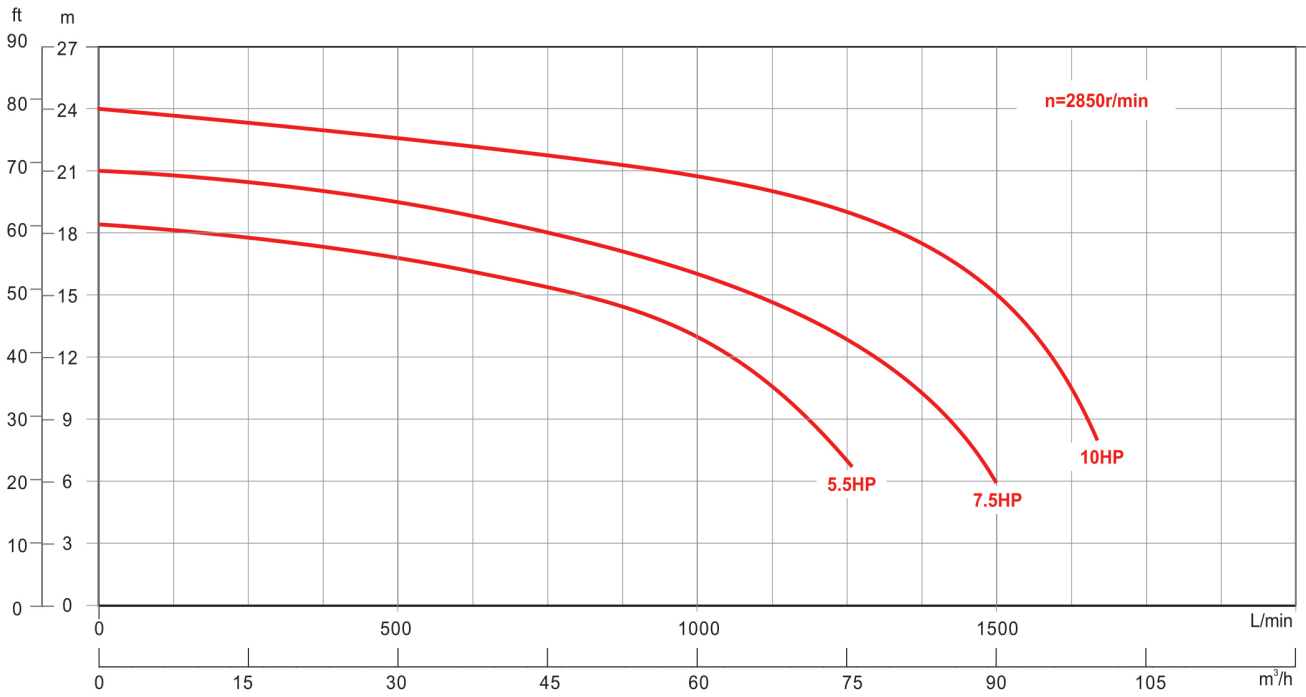
CFRP centrifugal pumps complete with prefilter, for filtering and purifying equipment.

Materials:
Pump body, and prefilter in cast iron.
Impeller in HT200/Cu.
Shaft in stainless steel AISI 316.
Mechanical seal in graphite/ceramic.

Motor:
Asynchronous, two poles.
IP 55 protection.
Class F insulation.
Continuous operation

TECHNICAL DATA

Model	P2		V		A		P1(kW)		Q	L/min	0	500	750	1000	1250	1500
			3~		3~		3~			m ³ /h	0	30	45	60	75	90
	HP	kW	50HZ	50HZ	220	380	220	380		H(m)	18.5	17.5	16	14	10	
CFRP 55-80	5.5	4	220	380	14.4	8.3	4.7	4.7								
CFRP 75-80	7.5	5.5	220	380	19.0	11.0	6.3	6.3		21	20.5	19.5	17.5	14	8	
CFRP 100-80	10	7.5	220	380	25.6	14.8	8.6	8.6		24	23.5	23	21.5	18	15	



DIMENSION

	A	B	M1	W	L	N1	H1	H2	DNA	DNM	Kg
CFRP 55-80	495	310	95	292	970	212	162.5	180	Φ100	Φ65	100
CFRP 75-80	495	310	95	310	995	212	162.5	180	Φ100	Φ65	110
CFRP 100-80	495	310	95	310	995	212	162.5	180	Φ100	Φ65	116